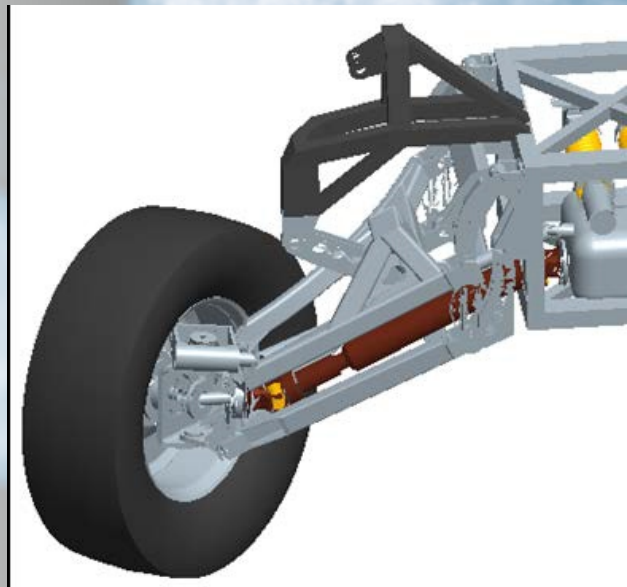


International journal
for science, technics and
innovations for the industry



MACHINES
TECHNOLOGIES
MATERIALS

YEAR XI **Issue 10** / 2017 **ISSN PRINT 1313-0226**
ISSN WEB 1314-507X



Published by
Scientific technical
Union of Mechanical Engineering "INDUSTRY 4.0"



MACHINES. TECHNOLOGIES. MATERIALS

INTERNATIONAL SCIENTIFIC JOURNAL

PUBLISHER

SCIENTIFIC TECHNICAL UNION OF MECHANICAL ENGINEERING “INDUSTRY 4.0”

108, Rakovski Str., 1000 Sofia, Bulgaria

tel. (+359 2) 987 72 90,

tel./fax (+359 2) 986 22 40,

office@stumejournals.com

www.stumejournals.com

ISSN PRINT 1313-0226, ISSN WEB 1314-507X, YEAR XI, ISSUE 10 / 2017

EDITOR-IN-CHIEF

Prof. D.Sc. DHC Georgi Popov,

President of Bulgarian Scientific and Technical Union of Mechanical Engineering

EDITORIAL BOARD

MEMBERS

SCIENTIFIC COMPETENCE

Prof. Dimitar Damyanov	Automatisation of production
Prof. Dimitar Karaivanov	Mechanics of machines
Prof. Dimitar Stavrev	Technologies and materials
Prof. Dimitar Yonchev	National and industrial security
Prof. Galina Nikolcheva	Machines tools and technologies
Prof. Hristo Shehtov	Automatisation of production
Prof. Idilija Bachkova	Automatisation of production
Prof. Ivan Kralov	Mechanics of machines
Prof. Ivan Parshorov	Technologies and materials
Prof. Ivan Yanchev	Machines and technologies
Prof. Ivo Malakov	Automatisation of production
Prof. Kiril Angelov	Industrial Management
Prof. Lilo Kunchev	Transport Equipment and Technology
Prof. Lubomir Dimitrov	Machines and technologies
Prof. Miho Mihov	Agricultural machinery
Prof. Miroslav Denchev	Ergonomics and design
Prof. Mladen Velev	Economics and Marketing
Prof. Nikolay Diulgerov	Technologies and materials
Prof. Ognyan Andreev	Production management
Prof. Petar Kolev	Transport Equipment and Technology
Prof. Roman Zahariev	Robotics
Prof. Sasho Guergov	Robotic systems and technology
Prof. Tsanka Dikova	Technologies and materials
Prof. Vitan Galabov	Mechanics of machines



MACHINES. TECHNOLOGIES. MATERIALS

INTERNATIONAL SCIENTIFIC JOURNAL

ISSN PRINT 1313-0226, ISSN WEB 1314-507X, YEAR XI, ISSUE 10 / 2017

EDITORIAL BOARD FOREIGN MEMBERS

Prof. Adel Mahmoud	IQ	Prof. Marian Tolnay	SK
Prof. Ahmet Ertas	TR	Prof. Mark Easton	AU
Prof. Andonag Londo	AL	Prof. Mart Tamre	EE
Prof. Andrei Firsov	RU	Prof. Maryam Ehteshamzade	IR
Prof. Andrzej Golabczak	PL	Prof. Michael Evan Goodsite	DK
Prof. Anita Jansone	LV	Prof. Movlazade Vagif Zahid	AZ
Prof. Aude Billard	CH	Prof. Natasa Naprstkova	CZ
Prof. Bojan Dolšak	SI	Prof. Oana Dodun	RO
Prof. Christian Marxt	LI	Prof. Oleg Sharkov	RU
Prof. Dale Carnegie	NZ	Prof. Páll Jensson	IS
Prof. Ernest Nazarian	AM	Prof. Patrick Anderson	NL
Prof. Esam Husein	KW	Prof. Paul Heuschling	LU
Prof. Ewa Gunnarsson	SW	Prof. Pavel Kovac	RS
Prof. Filipe Samuel Silva	PT	Prof. Per Skjerpe	NO
Prof. Francisco Martinez Perez	CU	Prof. Péter Korondi	HU
Prof. Franz Haas	AT	Prof. Peter Kostal	SK
Prof. Genadii Bagliuk	UA	Prof. Juan Alberto Montano	MX
Prof. Georg Frey	DE	Prof. Raul Turmanidze	GE
Prof. Gregory Gurevich	IL	Prof. Renato Goulart	BR
Prof. Haydar Odinaev	TJ	Prof. Roumen Petrov	BE
Prof. Hiroyuki Moriyama	JP	Prof. Rubén Darío Vásquez Salazar	CO
Prof. Dr. Ilir Doci	Ko	Prof. Safet Isić	BA
Prof. Iryna Charniak	BY	Prof. Sean Leen	IE
Prof. Ivan Svarc	CZ	Prof. Shi Xiaowei	CN
Prof. Ivica Veza	HR	Prof. Shoirdzan Karimov	UZ
Prof. Jae-Young Kim	KR	Prof. Sreten Savićević	ME
Prof. Jerzy Jedzejewski	PL	Prof. Stefan Dimov	UK
Prof. Jean-Emmanuel Broquin	FR	Prof. Svetlana Gubenko	UA
Prof. Jordi Romeu Garbi	ES	Prof. Sveto Cvetkovski	MK
Prof. Jukka Tuhkuri	FI	Prof. Tamaz Megrelidze	GE
Prof. Katia Vutova	BG	Prof. Tashtanbay Sartov	KG
Prof. Kazimieras Juzėnas	LT	Prof. Teimuraz Kochadze	GE
Prof. Krasimir Marchev	USA	Prof. Thorsten Schmidt	DE
Prof. Krzysztof Rokosz	PL	Prof. Tonci Mikac	HR
Prof. Leon Kukielka	PL	Prof. Vasile Cartofeanu	MD
Prof. Mahmoud El Gammal	EG	Prof. Yasar Pancar	TR
Prof. Manolakos Dimitrios	GR	Prof. Yuriy Kuznetsov	UA
Prof. Marat Ibatov	KZ	Prof. Wei Hua Ho	ZA
Prof. Marco Bocciolone	IT		

CONTENTS

MACHINES

DESIGN PROCESS FOR THE SUSPENSION SYSTEM OF THE TERRAIN VEHICLE WITH FOUR WHEEL DRIVE

Asoc. Prof. Dr. Naser Lajqi, Asoc. Prof. Dr. Azem Kyçyku, Ass. Prof. Dr. Shpetim Lajqi 477

MARINE SLOW SPEED TWO-STROKE DIESEL ENGINE - NUMERICAL ANALYSIS OF EFFICIENCIES AND IMPORTANT OPERATING PARAMETERS

PhD. Mrzljak Vedran, Student Žarković Božica, Prof. PhD. Prpić-Oršić Jasna 481

TECHNOLOGIES

MULTILEVEL MODIFICATION IN MATERIALS SCIENCE AND POLYMER NANOCOMPOSITES TECHNOLOGY

Assoc. Prof. cand. eng. Avdeychik S., Senior lecturer Antonov A., Prof. Dr. Eng. Struk V., Assoc. Prof. cand. eng. Vorontsov A., Assoc. Prof. cand. eng. Abdurazakov A. 485

DETERMINING OF STORAGE SITE LOCATION WITHIN PRODUCTION SYSTEMS

Associate Prof. Topčić A. PhD., Associate Prof. Cerjaković E. PhD., Assistant Prof. Lovrić S. PhD., M.Sc. Herić M. 490

pH AND TEMPERATURE INFLUENCE ON PHENOL REMOVAL FROM WATER BY HORSERADISH PEROXIDASE

PhD Savic S., PhD Petrovic S., Phd stud. Petronijevic M., Prof. Dr. Petronijevic Z. 494

FULL USE OF MATHEMATICS – FOUNDRY

Bushev S., Associate Professor, PhD, Eng. 497

THE METHODOLOGY FOR VEHICLES PARKING ANALYSIS: CASE STUDY – CITY OF PRISHTINA

Assoc. Prof. Dr. Lajqi Naser, Ass. Prof. Dr. Lajqi Shpetim, Prof. Dr. Doçi Ilir 499

MODELING OF SOLIDIFICATION IN RESISTANCE SPOT WELDING

Jafari R. PhD. 504

MATERIALS

EFFECT OF ANNEALING TEMPERATURE ON MICROSTRUCTURE OF Ti-Al-V-Mo-Zr SYSTEM ALLOYS

Doctor of Engineering Sciences Terlikbayeva A. Zh., 3rd year PhD student Alimzhanova A.M., Candidate of Engineering Sciences Shayachmetova R.A., Candidate of Engineering Sciences Ossipov P.A., Doctor of Engineering Sciences, professor Smagulov D.U. 505

WEAR RESISTANCE OF CARBIDE-BAINITE SPHEROIDAL GRAPHITE CAST IRONS UNDER CONDITIONS OF DRY FRICTION

Assist. Prof. Vladimir Todorov, Assoc. Prof. Georgi Rashev, eng. Milen Svilenov 509

GRADIENT INTERFERENCE OPTICAL FILTERS MANUFACTURED FROM ORGANOSILICONE COMPOUNDS WITH THE RF PECVD TECHNIQUE

Katarzyna Oleško, MS; Hieronim Szymanowski, PhD, DSc; Prof. Maciej Gazicki-Lipman, PhD, DSc; Anna Sobczyk-Guzenda, PhD. 512